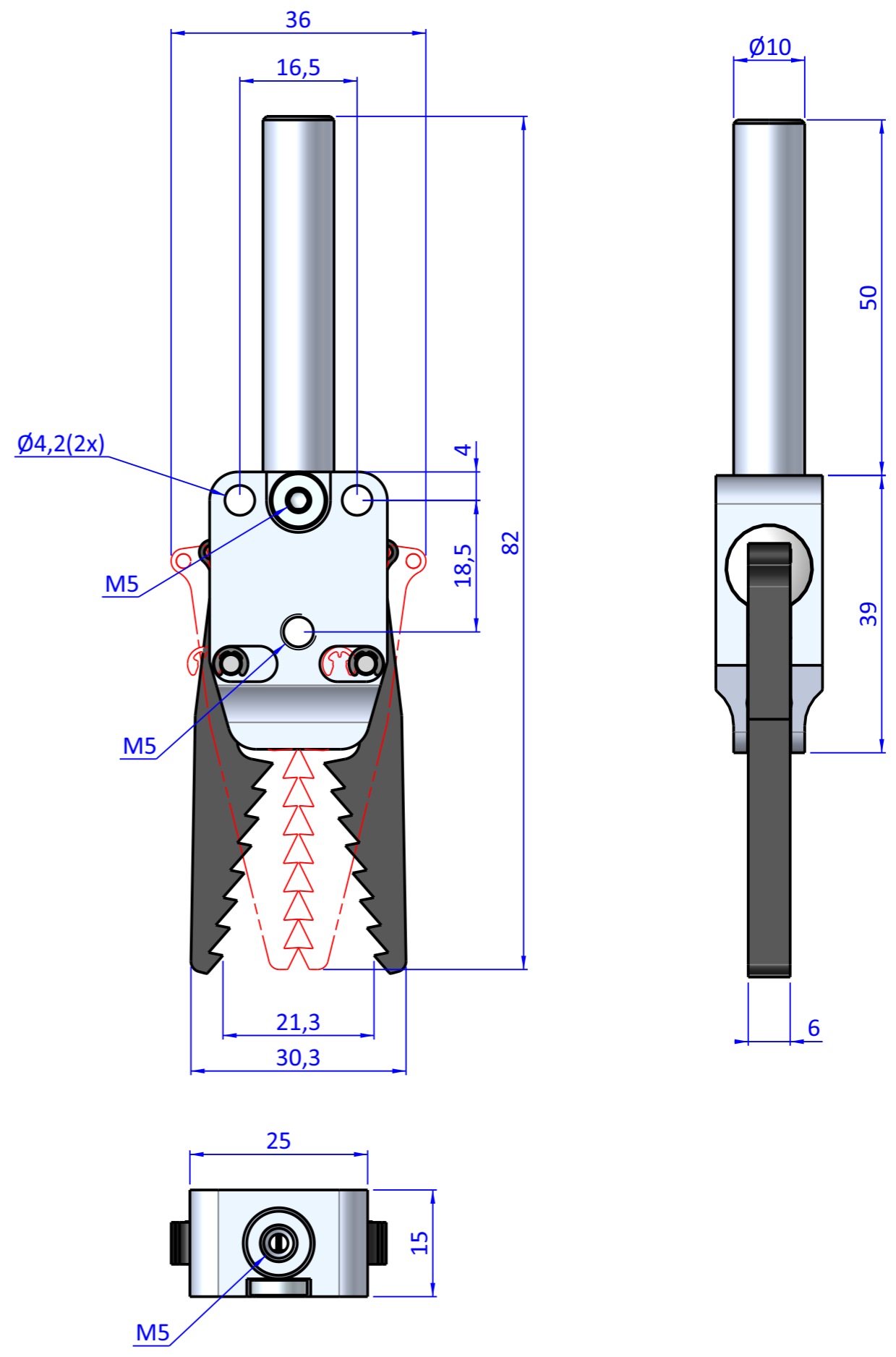
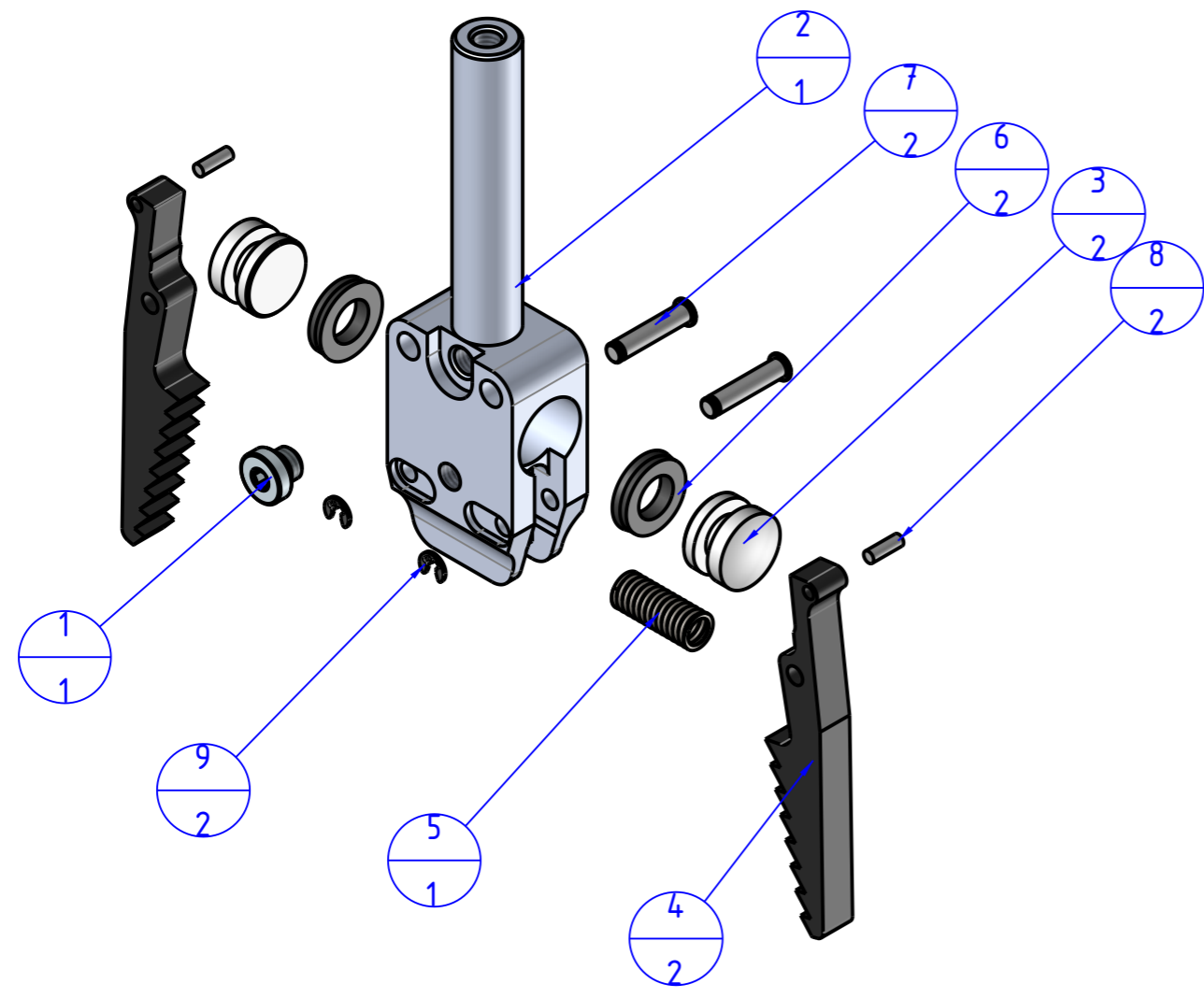

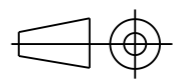


THE PROPERTY OF THE DRAWING IS ESTABLISHED BY LAW. IT IS FORBIDDEN TO PRODUCE OR SHOW IT TO THIRD PART. WITHOUT A WRITTEN AGREEMENT.

Item	Name	Q.ty
1	CA.08.14.013	1
2	GZA.10.12.1.50	1
3	GZA.10.12.2	2
4	GZA.10.12.19	2
5	M.6x25.SH	1
6	PSP.1269255	2
7	SP.3x15SS	2
8	GZA.10.12.9	2
9	A.ELA.RA1.9	2



Format A3
UNI 936-76

 FPS FPSERVICES AUTOMATION			DESIGNED FROM FPS Automation	REVIEW A
GENERAL TOLERANCE UNI - ISO 2768 CLASSE f	DESCRIPTION CA.GZA.10.12.19	DATE 11/06/2024	WEIGHT 0,045kg	CODE CA.GZA.10.12.104